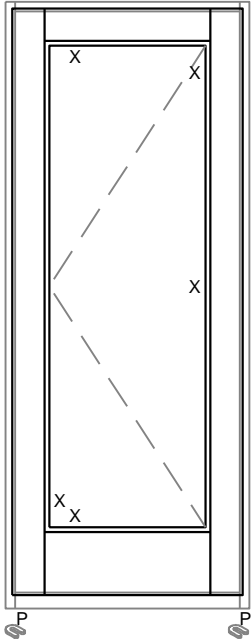
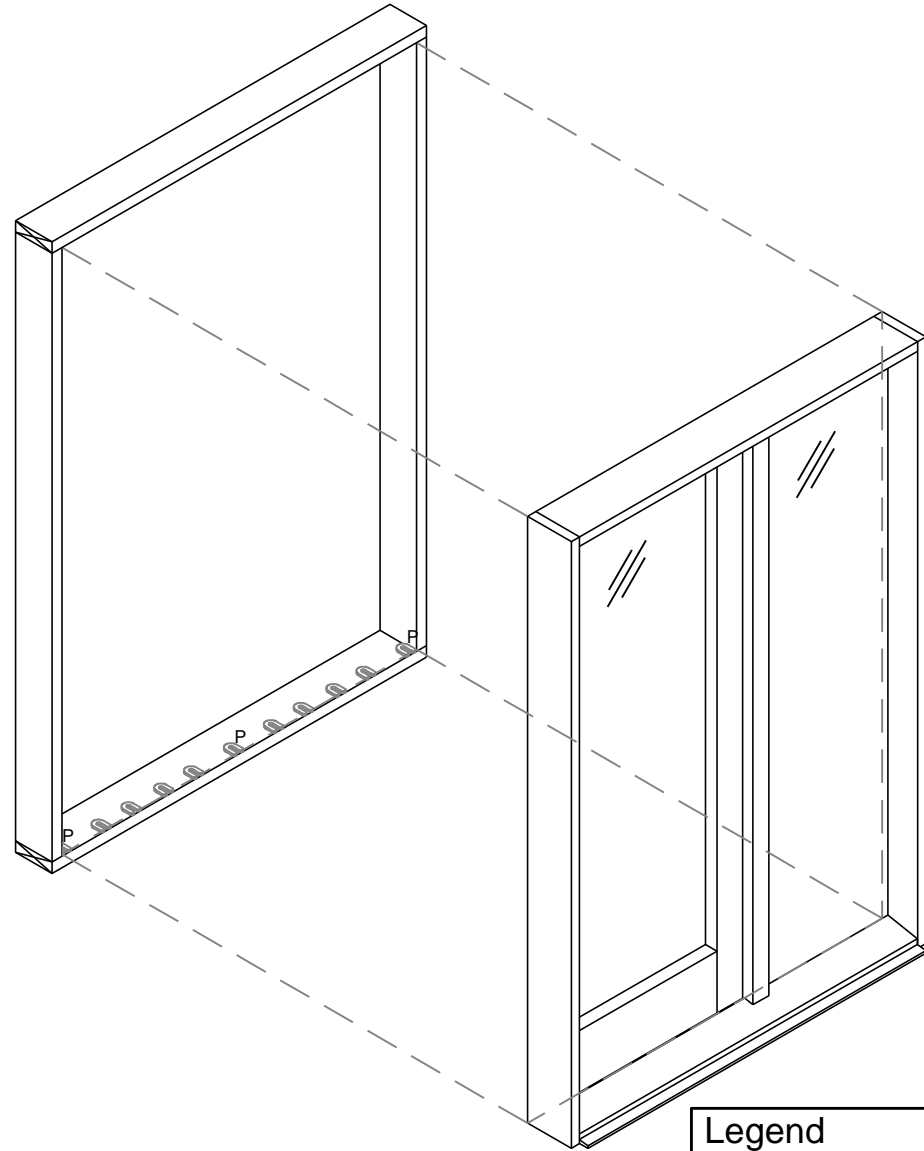
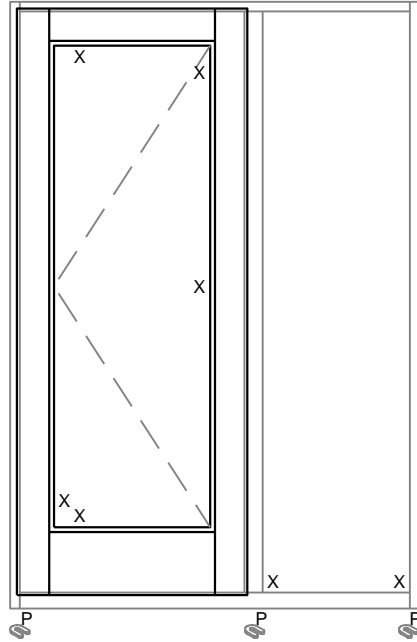


Swing Door



Swing Door w/ Sidelite



Procedure:

1. Ensure Rough Opening is level, plumb & square prior to installation.
2. Level off the sill using full depth rigid shims. Ensure to shim under all vertical loading points as noted, and every 6" in between those points.
3. After setting the product into the Rough Opening, ensure that the product's sill is level and free from any waves or bows prior to following the fastening procedure.

*Note: Details are intended to show typical glazing setting block and vertical loading points of products. It is the sole responsibility of the product installer to ensure that all loading points have been properly supported and the product has been installed level, plumb & square as to maintain full product warranty. Westeck Windows and Doors neither endorses nor approves of any other shimming method that deviates from these details without written consent.

Legend

	Primary Load Point Shim
	Shim
	Glazing Setting Block



REV.	DATE	DESCRIPTION
1	-	-
2	-	-
3	-	-
4	-	-
5	-	-
6	-	-

CUSTOMER APPROVAL (SIGNATURE)
Sill Shimming

SCALE	SCALE TO FIT
DATE	2017-11-09
SALES REP	-
DRAWN BY	KOLTONT

ORDER NUMBER	-
DRAWING NUMBER	E4