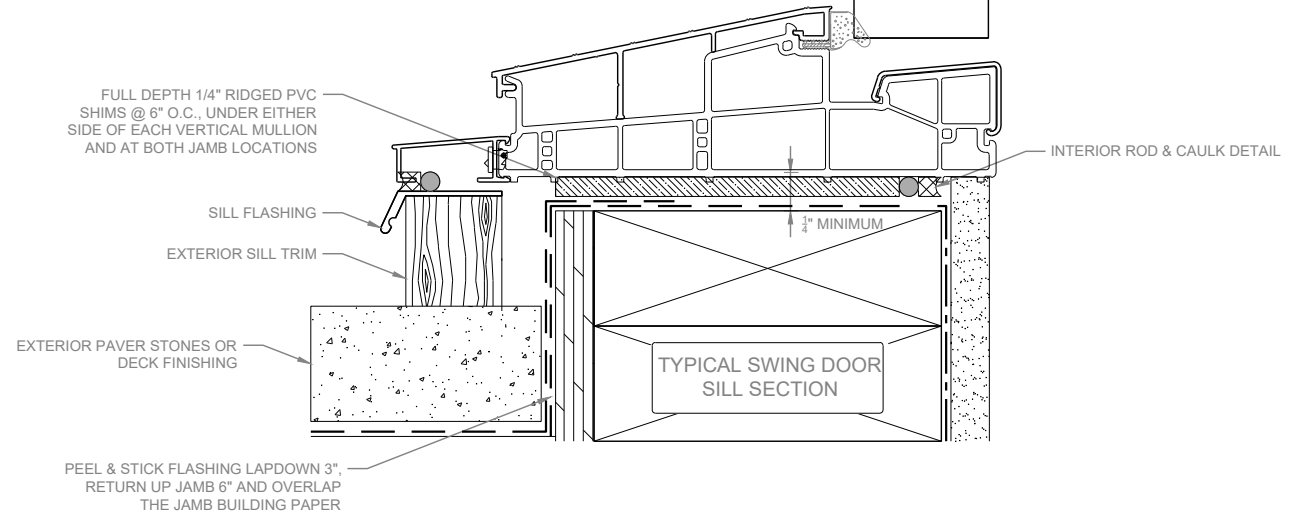
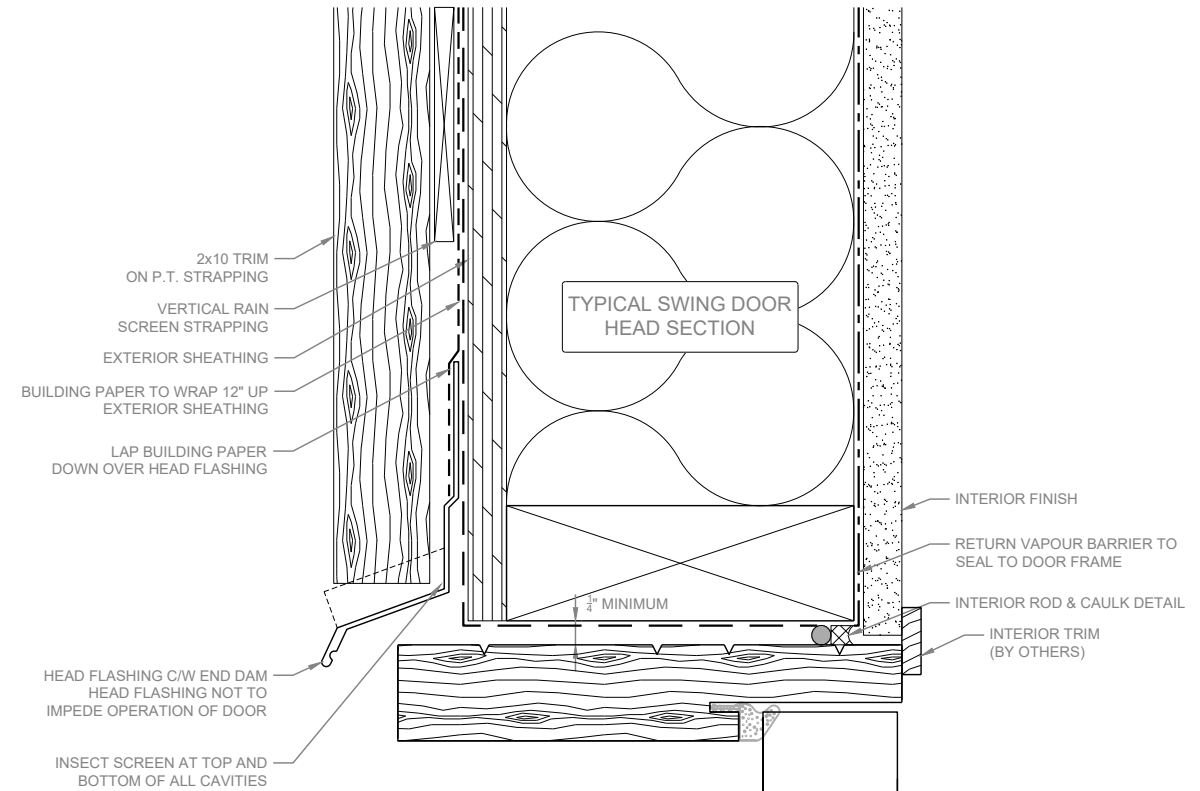
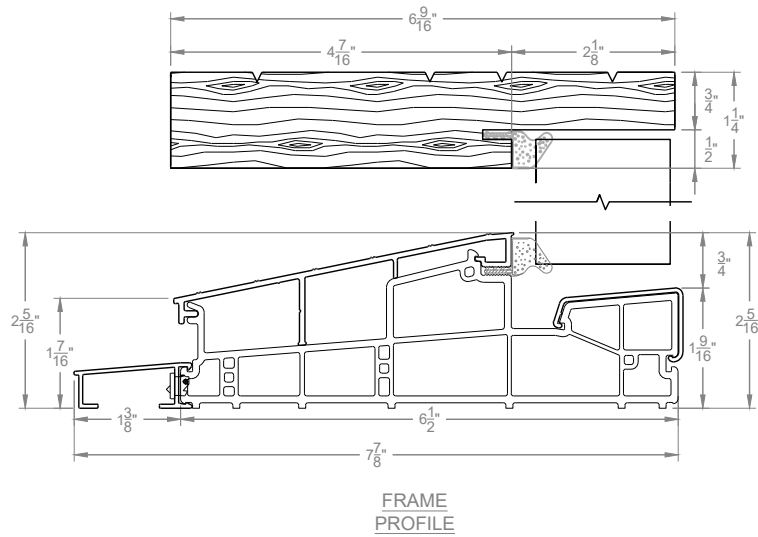
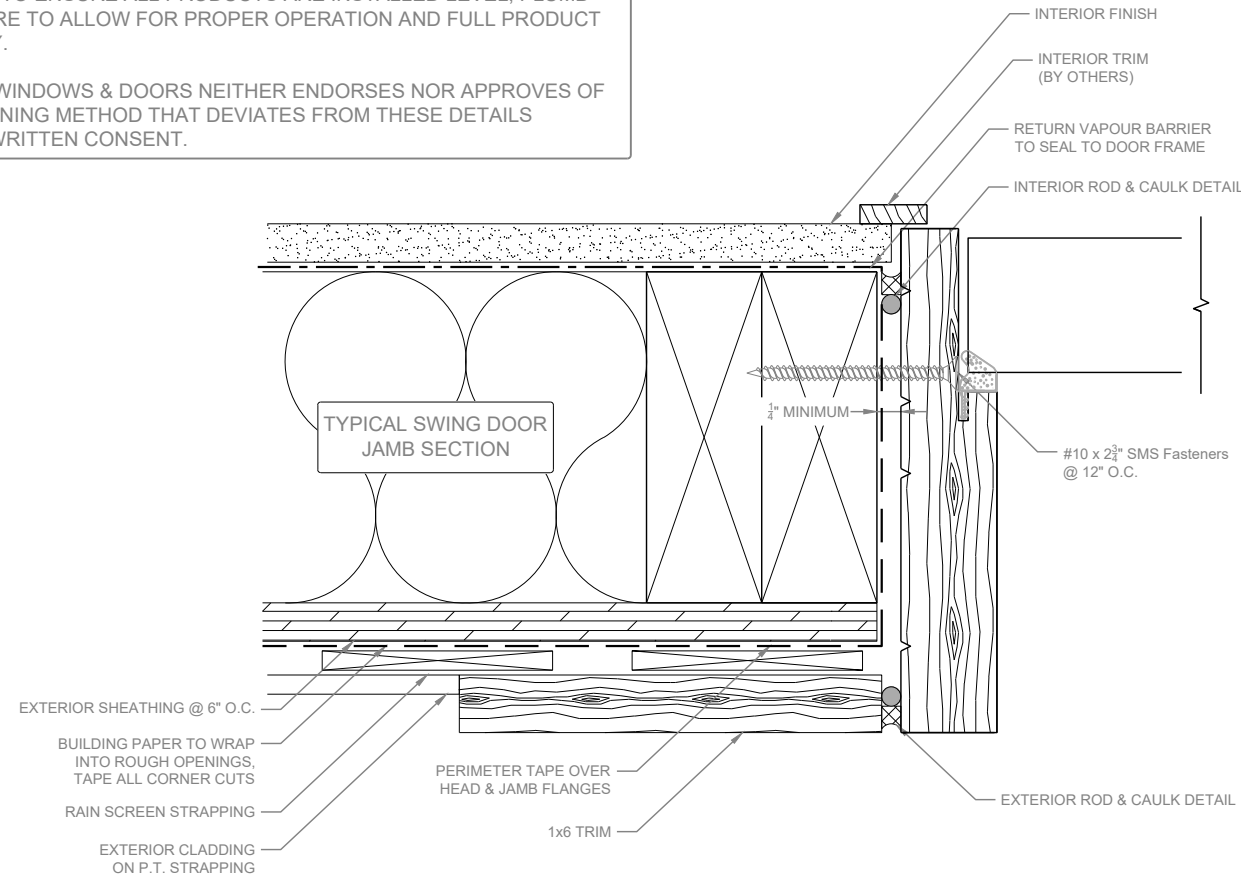


DETAILS ARE INTENDED TO SHOW A TYPICAL STRUCTURAL FASTENING METHOD OF RETAINING WINDOWS AND DOORS FOR WARRANTY PURPOSES ONLY. WATER PROOFING ENVELOPE DETAILS ARE TO BE COMPLETED BY OTHERS AND ARE NOT THE RESPONSIBILITY OF WESTECK WINDOWS & DOORS.

SEE PROJECT SPECIFIC ARCHITECTURAL AND ENVELOPE ENGINEERING DETAILS THAT PERTAIN TO WATERPROOFING SEQUENCING DETAILS. IT IS THE SOLE RESPONSIBILITY OF THE CONTRACTOR AND PRODUCT INSTALLER TO ENSURE ALL PRODUCTS ARE INSTALLED LEVEL, PLUMB AND SQUARE TO ALLOW FOR PROPER OPERATION AND FULL PRODUCT WARRANTY.

WESTECK WINDOWS & DOORS NEITHER ENDORSES NOR APPROVES OF ANY FASTENING METHOD THAT DEVIATES FROM THESE DETAILS WITHOUT WRITTEN CONSENT.



FILE PATH: F:_TechDept\Technical Document\Website Items\Windows and Doors\Swing Doors\New Sill Installation Details, LAST SAVED BY: DOUGT, 2021-01-14 1:48 PM



REV.	DATE	DESCRIPTION	CHECKED	APPROVED
A	-	-	-	-
B	-	-	-	-
C	-	-	-	-
D	-	-	-	-
E	-	-	-	-

Swing Door - Part 9 Typical Installation Detail	
Inswing Wood Sill	

SCALE	1:2.5
DATE	2021-01-14
DRAWN BY	DougT
SALES REP	-

DRAFT FOR DISCUSSION PURPOSES ONLY	
DRAWING NUMBER	
D1	