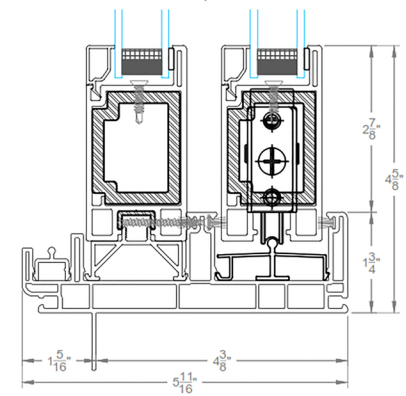


01 Installation of perimeter main frame must be completed for sill and jambs only prior to installation of fixed panels. Head anchoring should be done after panel installation. See Westeck installation details ensuring plumb, level, square.

02 Ensure the fixed panel support blocks are installed below fixed panel location. Make sure they are snapped completely into the sill track with no humps or bows visible. Pay attention to drainage notches in the track.



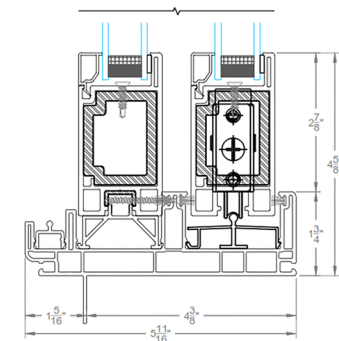
03 Check frame that proper installation of weather-stripping has been applied. Weather-strips should be continuous with no breaks or tears. Note, welded corners may have some burn off removed.

04 Remove all threshold cover and jamb track covers, noting what tracks they are from. Set glazed fixed panel onto the setting block track and slide into jamb pocket, tight to the jamb spacer blocks, with glazing stops and drainage holes to the exterior and interlock facing interior.

05 Once the fixed panels are set into the frame, anchor the head of the main frame to structure, ensure to keep level.

06 Check panel is square to frame, and weather-stripping is compressing against the frame towers.

07 Check the frame and panel are straight and square at the jamb. Check dimension from sill tower to sash daylight, should be no more than 3", (66.7MM).



08 Install one #8 x 2 1/4" screw into the jamb tower 3" up from sill, through the weather-strip slot.

- 09 Install #8 x 2 ¼" screw into the jamb tower 3" down from head, through the weather-strip slot.



- 10 Add #8 x 2 ¼" screws at 10" (255MM) spacing along the vertical jamb through the weather-strip slot into the panel.



- 11 Install two #8 x 2 ¼" screws through the frame tower through weather-strip slot at the sill at interlock end of the panel. See image for correct angle. Use caution to not over tighten which may strip screws.



- 12 Install threshold and jamb/head track covers.

- 13 Install operating panel, check for interlocks meeting between fixed and operator. There should be no binding or excessive play once the door is closed and locked.

Quality checks after Install

There should be minimal play at the interlock, < .25" (6mm). If excessive, check fixed panels are seated completely into the jambs snug to the spacer blocks. Tower to panel daylight should be no more than 2.625" (66.7MM) at jamb, and 3" (76MM) at sill.

Check frame and panels for square. No more than 1/8" (2MM) on panels and 3/16" (3MM) on frames diagonally should be found.



Phone: 1-604-792-6700
Fax: 1-604-792-6714
Toll-free (US/Canada): 1-877-606-1166
Email: sales@westeckwindows.com
Web: www.westeckwindows.com